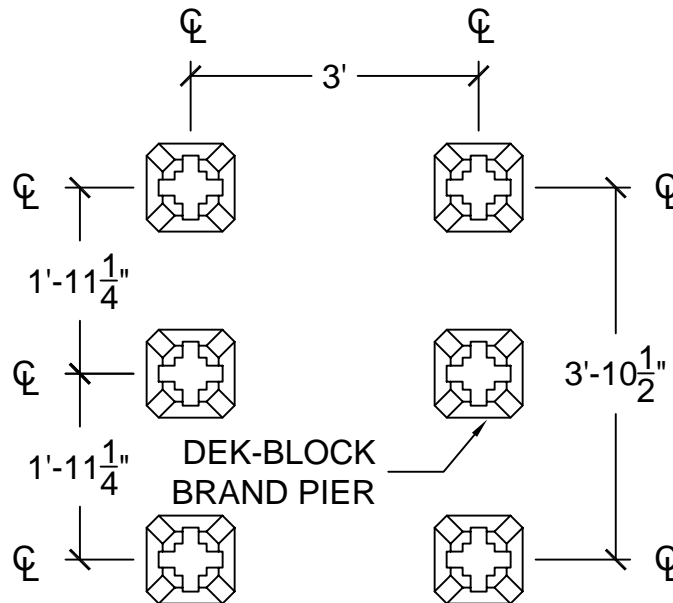


**1 DEK-BLOCK LAYOUT SECTION**  
SCALE: 1/2" = 1' - 0"



**2 DEK-BLOCK LAYOUT PLAN**  
SCALE: 1/2" = 1' - 0"

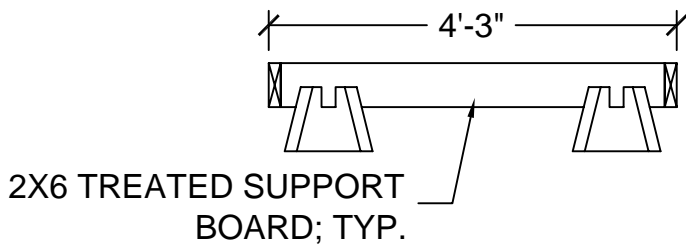


**Floating  
Foundation  
Deck Systems**  
DekBrands PO Box 14804 Mpls, MN 55414

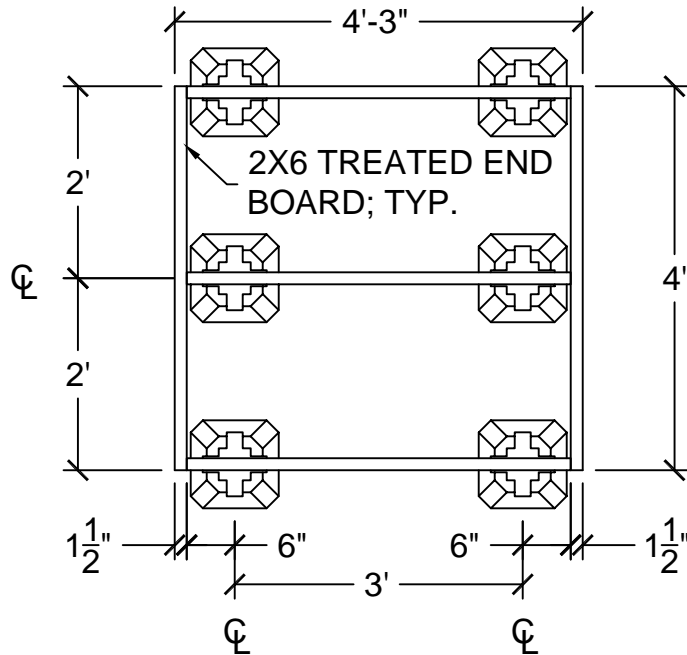
**4' x 4'**  
[www.DECKPLANS.com](http://www.DECKPLANS.com)

DEKBRANDS and DEK-BLOCK are trademarks of Proshop Plans Co. These plans are for consumer use only. Licensed exclusively for use with Dek-Block brand piers. Copyright 2004 Proshop Plans Co.

**Live Technical Support**  
**1-800-664-2705**  
7 Days a Week - 365 Days a Year  
(5:00 am - 9:00 pm CST)



**1** FRAMING SECTION  
SCALE: 1/2" = 1' - 0"



**2** FRAMING PLAN  
SCALE: 1/2" = 1' - 0"



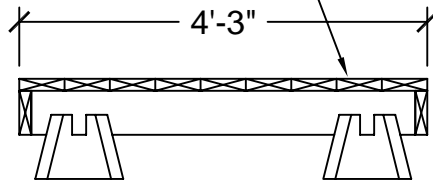
Floating  
Foundation  
Deck Systems  
DekBrands PO Box 14804 Mpls, MN 55414

**4' x 4'**  
[www.DECKPLANS.com](http://www.DECKPLANS.com)

DEKBRANDS and DEK-BLOCK are trademarks of Proshop Plans Co. These plans are for consumer use only. Licensed exclusively for use with Dek-Block brand piers. Copyright 2004 Proshop Plans Co.

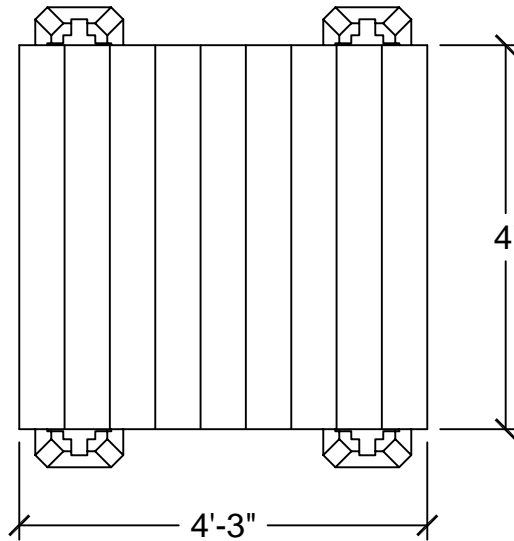
**Live Technical Support**  
**1-800-664-2705**  
7 Days a Week - 365 Days a Year  
(5:00 am - 9:00 pm CST)

2X6 TREATED SURFACE  
BOARDS; TYP.



**1** DECKING SECTION

SCALE: 1/2" = 1' - 0"



**2** DECKING PLAN

SCALE: 1/2" = 1' - 0"



Floating  
Foundation  
Deck Systems  
DekBrands PO Box 14804 Mpls, MN 55414

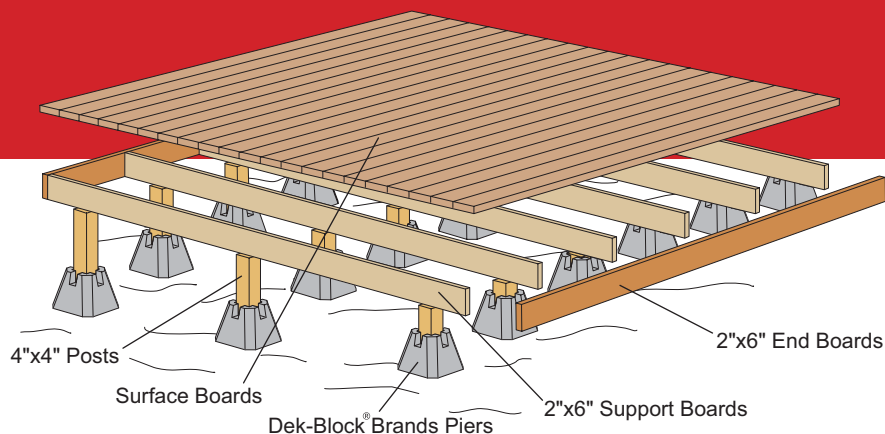
4' x 4'  
www.DECKPLANS.com

DEKBRANDS and DEK-BLOCK are trademarks of Proshop Plans Co. These plans are for consumer use only. Licensed exclusively for use with Dek-Block brand piers. Copyright 2004 Proshop Plans Co.

Live Technical Support  
1-800-664-2705  
7 Days a Week - 365 Days a Year  
(5:00 am - 9:00 pm CST)

# Floating Foundation Deck System

## 4'x4' Rectangular Deck



### Material List

#

@

Per

Total



Dek-Blocks

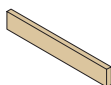
Dek-Block Brand Piers

6

@

\$ \_\_\_\_\_

\$ \_\_\_\_\_



Support Boards

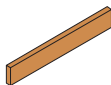
8' - 2"x6" Treated Lumber

2

@

\$ \_\_\_\_\_

\$ \_\_\_\_\_



End Boards

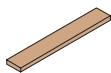
8' - 2"x6" Treated Lumber

1

@

\$ \_\_\_\_\_

\$ \_\_\_\_\_



Surface Boards

8' - 2"x6" Treated Lumber

5

@

\$ \_\_\_\_\_

\$ \_\_\_\_\_



Detailing

2½" Deck Screws; lbs.

2

@

\$ \_\_\_\_\_

\$ \_\_\_\_\_



Optional Posts for 30" Elevation

8' - 4"x4" Treated Posts

2

@

\$ \_\_\_\_\_

\$ \_\_\_\_\_

Total

\$ \_\_\_\_\_

Shop Today

Build on Saturday

Enjoy on Sunday

These plans are intended for consumer use only. Copyright 2000 Proshop Plans Co. They may not be reproduced, copied, distributed or disseminated without the written permission of DEKBRANDS. DEKBRANDS and Dek-Block are trademarks of Proshop Plans Co., Inc. U.S. Patent 5,392,575, 5,953,874, 6,324,801B1, 6,446,403B2, 6,550,201B2, and 6,609,346B2 Pat. Pend/App. Pend. Manufactured under license.

**DEKBRANDS**  
EASY-TO-DO DECKS  
*In just one day*

**WWW.DECKPLANS.COM**  
Hundreds of Free Plans, tips, and Ideas Available Online

Live Technical Support:  
7 days a week - 5:00am to 9:00pm CST  
**1-800-664-2705**